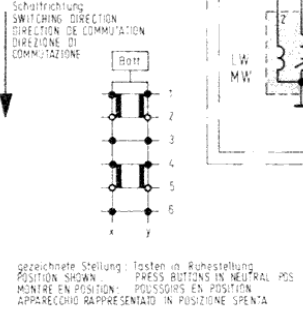
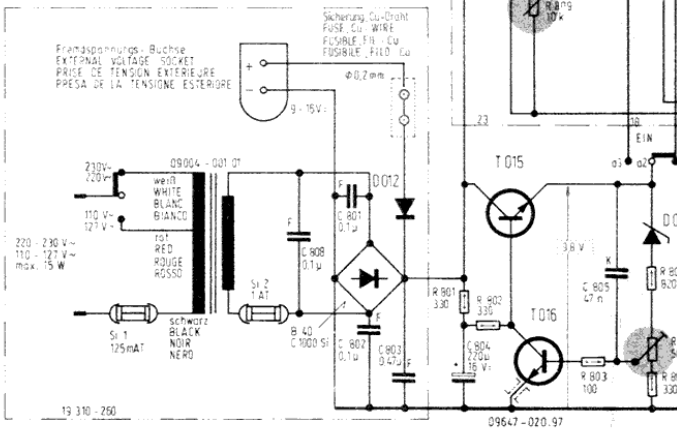


CON FUNZIONAMENTO A RETE  
 (720-011) PORTARE L'INDICE  
 CON ROS SUL LIMITE ROSSO E  
 VERDE DEL CAMPO ACQU.  
 EN FONCTIONNEMENT SUR PILES  
 1,5 V - 21V REGLER LE MOUV. DE ROS  
 L'INDICATEUR DU VU-METRE SUR LA  
 LIGNE SEPARANT LES CHAMPS  
 ROUGE ET VERT DE LA PARTIE ACQU.  
 AT BATTERY OPERATION 21V MOV  
 ADJUST WITH ROS POINTER TO  
 LINE BETWEEN GREEN AND RED  
 ACCUMULATOR FIELDS.  
 Bei Batteriebetrieb auf 21V mit  
 den Zeiger mit ROS auf  
 Trennlinie der ACQU Skala.



UKW-Mischteil FM - MIXED STAGE MELANGEUR - FM SEZIONE MISCELATRICE - FM	19420-007	Widerstandsplatte RESISTOR BOARD PLAQUE DE RESISTANCE PIASTRA DI RESISTENZA	19310-256
ZF-Baustein IF - UNIT BLOC - FI UNITA' MODULARI - FI	19427-002	Trägerplatte SUPPORTING PLATE PLAQUE DE SUPPORT PIASTRA PORTANTE	19310-254
Reglerplatte CONTROL BOARD PLAQUE DE REGLAGE PIASTRA DI REGOLAZIONE	19310-255	Ferritantenne kol. FERRITE AERIAL ANTENNA FERRITE COMPL ANTENNA DI FERRITA	19426-005
HF-NF-Platte RF - AF - PRINTED BOARD RF - BF - PIASTRA AF - BF - PIASTRA	19310-249	Lautwerk kol. TURNTABLE ENSEMBLE D'ENTRAINEMENT COMPLESSO DI MOVIMENTO	9 34001-1000
Netzteilplatte POWER SUPPLY BOARD PLAQUE D'ALIMENTATION PIASTRA DI ALIMENTAZIONE	19310-260	Leiterplatte PRINTED CIRCUIT BOARD PLAQUE IMPRIME PIASTRA STAMPATA	19300-297

Wellenbereiche: WAVE BANDS GAMME D'ONDES GAMME D'ONDA	LW - GO - OL	145	ca 280 kHz
	MW - PO - DM	5.0	1620 kHz
	KW1 - SW1 - DC1	5.9	6.2 MHz
	KW2 - SW2 - DC2	6.1	185 MHz
	UKW - FM	87.5	108 MHz
	ZF - IF - FI - AM		480 kHz
	ZF - IF - FI - FM		10.7 MHz

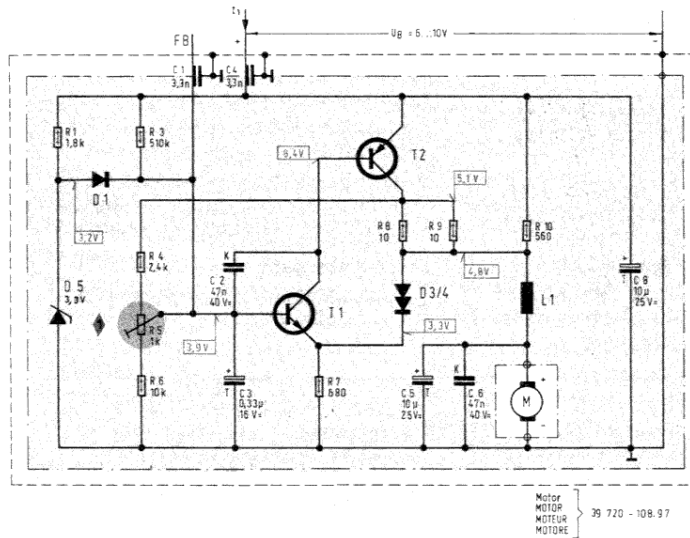
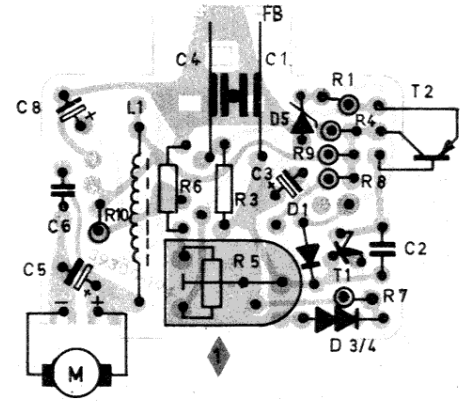


Kontakte	w(4,5), w(12,3),	l(1,2,3),	m(12,3), n(1,2,3), o(1,2,3), p(1,2,3), q(1,2,3), r(1,2,3), s(1,2,3), t(1,2,3), u(1,2,3), v(1,2,3), w(1,2,3), x(1,2,3), y(1,2,3), z(1,2,3)
C.	401, 402, 411,	405, 407, 408,	403, 404, 412, 405, 413, 314, 322, 475, 414, 316, 318, 397, 417, 418, 315, 321, 416, 419, 323, 324, 325, 327, 421, 422, 438, 329, 328, 331, 332, 423, 424,
R.	395, 371,	312,	313, 314, 317, 318, 319, 320, 321, 322, 323, 324, 325, 326, 327, 328, 329, 330, 331, 332, 333, 334, 335, 336, 337, 338, 339, 340, 341, 342, 343, 344, 345, 346, 347, 348, 349, 350, 351, 352, 353, 354, 355, 356, 357, 358, 359, 360, 361, 362, 363, 364, 365, 366, 367, 368, 369, 370, 371, 372, 373, 374, 375, 376, 377, 378, 379, 380, 381, 382, 383, 384, 385, 386, 387, 388, 389, 390, 391, 392, 393, 394, 395, 396, 397, 398, 399, 400, 401, 402, 403, 404, 405, 406, 407, 408, 409, 410, 411, 412, 413, 414, 415, 416, 417, 418, 419, 420, 421, 422, 423, 424, 425, 426, 427, 428, 429, 430, 431, 432, 433, 434, 435, 436, 437, 438, 439, 440, 441, 442, 443, 444, 445, 446, 447, 448, 449, 450, 451, 452, 453, 454, 455, 456, 457, 458, 459, 460, 461, 462, 463, 464, 465, 466, 467, 468, 469, 470, 471, 472, 473, 474, 475, 476, 477, 478, 479, 480, 481, 482, 483, 484, 485, 486, 487, 488, 489, 490, 491, 492, 493, 494, 495, 496, 497, 498, 499, 500, 501, 502, 503, 504, 505, 506, 507, 508, 509, 510, 511, 512, 513, 514, 515, 516, 517, 518, 519, 520, 521, 522, 523, 524, 525, 526, 527, 528, 529, 530, 531, 532, 533, 534, 535, 536, 537, 538, 539, 540, 541, 542, 543, 544, 545, 546, 547, 548, 549, 550, 551, 552, 553, 554, 555, 556, 557, 558, 559, 560, 561, 562, 563, 564, 565, 566, 567, 568, 569, 570, 571, 572, 573, 574, 575, 576, 577, 578, 579, 580, 581, 582, 583, 584, 585, 586, 587, 588, 589, 590, 591, 592, 593, 594, 595, 596, 597, 598, 599, 600, 601, 602, 603, 604, 605, 606, 607, 608, 609, 610, 611, 612, 613, 614, 615, 616, 617, 618, 619, 620, 621, 622, 623, 624, 625, 626, 627, 628, 629, 630, 631, 632, 633, 634, 635, 636, 637, 638, 639, 640, 641, 642, 643, 644, 645, 646, 647, 648, 649, 650, 651, 652, 653, 654, 655, 656, 657, 658, 659, 660, 661, 662, 663, 664, 665, 666, 667, 668, 669, 670, 671, 672, 673, 674, 675, 676, 677, 678, 679, 680, 681, 682, 683, 684, 685, 686, 687, 688, 689, 690, 691, 692, 693, 694, 695, 696, 697, 698, 699, 700, 701, 702, 703, 704, 705, 706, 707, 708, 709, 710, 711, 712, 713, 714, 715, 716, 717, 718, 719, 720, 721, 722, 723, 724, 725, 726, 727, 728, 729, 730, 731, 732, 733, 734, 735, 736, 737, 738, 739, 740, 741, 742, 743, 744, 745, 746, 747, 748, 749, 750, 751, 752, 753, 754, 755, 756, 757, 758, 759, 760, 761, 762, 763, 764, 765, 766, 767, 768, 769, 770, 771, 772, 773, 774, 775, 776, 777, 778, 779, 780, 781, 782, 783, 784, 785, 786, 787, 788, 789, 790, 791, 792, 793, 794, 795, 796, 797, 798, 799, 800, 801, 802, 803, 804, 805, 806, 807, 808, 809, 810, 811, 812, 813, 814, 815, 816, 817, 818, 819, 820, 821, 822, 823, 824, 825, 826, 827, 828, 829, 830, 831, 832, 833, 834, 835, 836, 837, 838, 839, 840, 841, 842, 843, 844, 845, 846, 847, 848, 849, 850, 851, 852, 853, 854, 855, 856, 857, 858, 859, 860, 861, 862, 863, 864, 865, 866, 867, 868, 869, 870, 871, 872, 873, 874, 875, 876, 877, 878, 879, 880, 881, 882, 883, 884, 885, 886, 887, 888, 889, 890, 891, 892, 893, 894, 895, 896, 897, 898, 899, 900, 901, 902, 903, 904, 905, 906, 907, 908, 909, 910, 911, 912, 913, 914, 915, 916, 917, 918, 919, 920, 921, 922, 923, 924, 925, 926, 927, 928, 929, 930, 931, 932, 933, 934, 935, 936, 937, 938, 939, 940, 941, 942, 943, 944, 945, 946, 947, 948, 949, 950, 951, 952, 953, 954, 955, 956, 957, 958, 959, 960, 961, 962, 963, 964, 965, 966, 967, 968, 969, 970, 971, 972, 973, 974, 975, 976, 977, 978, 979, 980, 981, 982, 983, 984, 985, 986, 987, 988, 989, 990, 991, 992, 993, 994, 995, 996, 997, 998, 999, 1000





**Motorbaustein (Ansicht von der Lötseite)**  
**MOTOR UNIT (SOLDER TAG VIEW)**  
**BLOC MOTEUR (VUE COTE SOUDURES)**  
**GRUPPO MOTORE (VISTA DAL LATO DELLE SALDATURE)**



- 9654 - 183.97
- BC 238
- L 1 09238 - 189.01
- T 1 BC 238 B
- T 2 9654 - 183.97 Gr 10 u 15
- D 1 9654 - 211.97
- D 2 } 9654 - 282.97 S 136 Z
- D 5 } 9654 - 329.97
- C 1 00820 - 505.97
- C 4 } 00820 - 845.94
- C 2 } C 6
- 1/8 W
- Keramik-Kond
- Tantal-Eleko
- Durchführungskondensator  
FEED - THROUGH - CAPACITOR  
CONDENSATEUR DE TRAVERSEE  
CONDENSATORE PASSANTE

Gleichspannungen gemessen mit Multivolt HD (Ri = 33k/V) gegen Minus bei Ug = 9V und I<sub>1</sub> = 70mA  
 D.C. VOLTAGES MEASURED WITH MULTIVOLT HD (INPUT RES = 33k/V) AGAINST MINUS AT Ug = 9V AND I<sub>1</sub> = 70mA  
 TENSIONS CONTINUES MESUREES AVEC MULTIVOLT HD (RES D'ENTREE = 33k/V) VERS MASSE A Ug = 9V ET I<sub>1</sub> = 70mA  
 TENSIONI CONTINUE MISURATE CON MULTIVOLT HD (RE = 33k/V) CON NEGATIVO A MASSA CON Ug = 9V E I<sub>1</sub> = 70mA

Änderungen vorbehalten | ALTERATIONS RESERVEES | MODIFICAZIONI RISERVATEE | CON RISERVA DI MODIFICAZIONI

**Schaltbild Motorbaustein (39730-906.03)**  
**CIRCUIT DIAGRAM MOTOR UNIT**  
**SCHEMA BLOC MOTEUR**  
**SCHEMA GRUPPO MOTORE**

